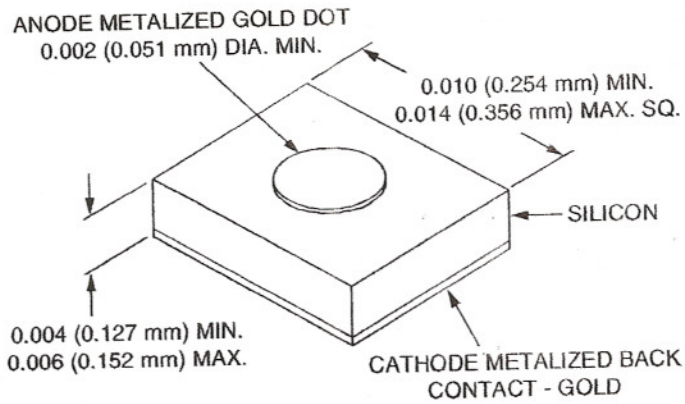




Sierra Components, Inc.

2222 Park Place Building 3 Suite E • Minden, Nevada 89423

Phone: 775.783.4940 Fax: 775.783.4947



Topside Metal: Gold
Backside Metal: Gold
Backside Potential: Cathode
Bond Pad Size: See Above

APPROVED BY:

DIE SIZE: .012 Square

DATE: 2/4/03

MFG: Alpha Ind

THICKNESS: .005"

P/N: CLA4603-000